

MULTI-FUNCTION REMOTE CONTROLLER

For use with 9 and/or 12 switch systems.

NOTE: This remote controller must have its internal security code switches set to be identical to those in your opener before it will work.

This private code makes it possible for your remote controller to operate your door, but not your neighbor's. It also prevents their controller from opening your door.

HOW TO SET YOUR PERSONAL SECURITY CODE

1. **Remove Battery Cover** (lower front cover).
 - Press firmly below arrow and slide cover off.
 - See label inside battery cover for switch identification.
2. **Slide Three (3) or More Security Code Switches** to set your personal security code (Fig. 1).
 - Use ballpoint pen or small screwdriver.
 - Slide firmly to one end of slot or other.

NOTE: If your original remote controller includes "one time" punch out keys instead of switches, set security code switches of the new remote controller to "OFF" or down position to match keys that have been punched.

3. **Hold Remote Controller** next to power unit security code switches.
4. **Slide Operator Security Code Switches** to match remote controller security code switches.
5. **Slide Right Function Switch** to 9 or 12 to match number of security code switches on your power unit.
6. **Slide Left Function Switch** from RUN to SET.
7. **Press Desired Sure Touch™ Control Buttons** until LED flashes. Release button.
8. **Return Left Function Switch** to RUN.
 - Repeat steps 2 thru 8 for each control button.
9. **Reset Security Code Switches** to the "UP" position after programming of all Sure Touch™ Control Buttons is complete.
10. **Replace Battery Cover.**
 - Slide battery cover back in place over battery.
 - Press firmly and slide forward to snap in place.

YOUR REMOTE CONTROLLER IS READY TO USE.

REMOTE CONTROLLER SECURITY CODES CAN BE CHANGED AT ANY TIME. ALL REMOTE CONTROLLER AND GARAGE DOOR OPENER SECURITY CODE SWITCHES MUST MATCH TO REMOTELY CONTROL YOUR DOOR OPENER.

REMOTE CONTROLLER OPERATION:

- Point the remote controller at the garage door and press button. The door will open or close.
- Press the button while the door is moving. The door will stop.
- Press the button again. The door moves the other way.
- Door automatically stops at the end of open or close cycle.
- For maximum range, point remote controller at the door and press button.

VISOR CLIP ATTACHMENT:

Attach visor clip to remote controller (Fig. 2).

- Spread wire ends into holes in sides of remote controller.
- Clip can be inserted up or down.

BATTERY REPLACEMENT: (Your remote controller is battery powered.)

Remove battery cover.

- Press firmly below arrow on battery cover and slide cover off (Fig. 1).
- Install new battery in same position.
- Use Eveready 9V Classic No. 216.
- Replace cover.

NOTE: Security Codes DO NOT need to be reset after battery replacement.

LOST OR STOLEN REMOTE CONTROLLERS:

If your remote controller has been lost or stolen, it is recommended that you change the security code settings on all your remote controllers and receivers.

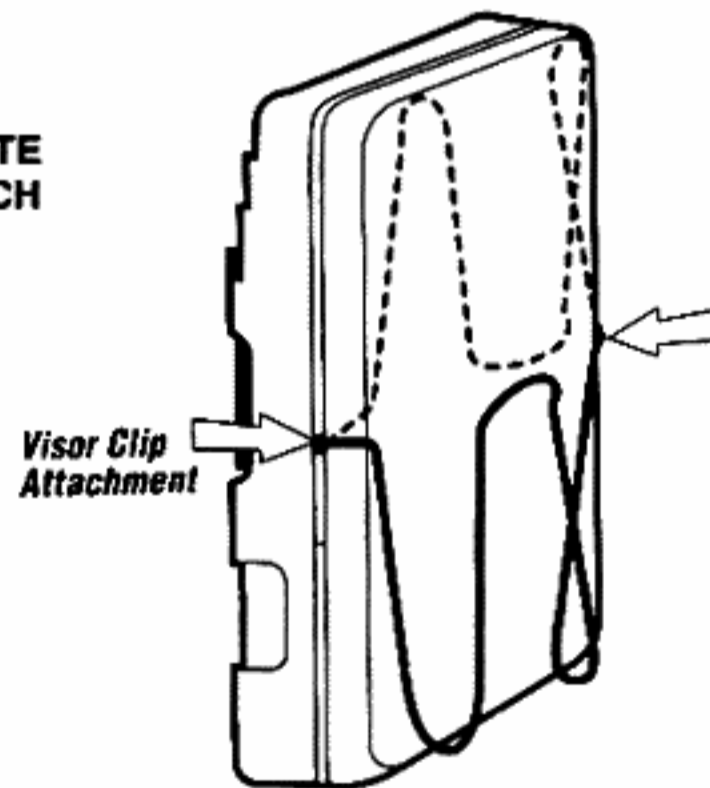
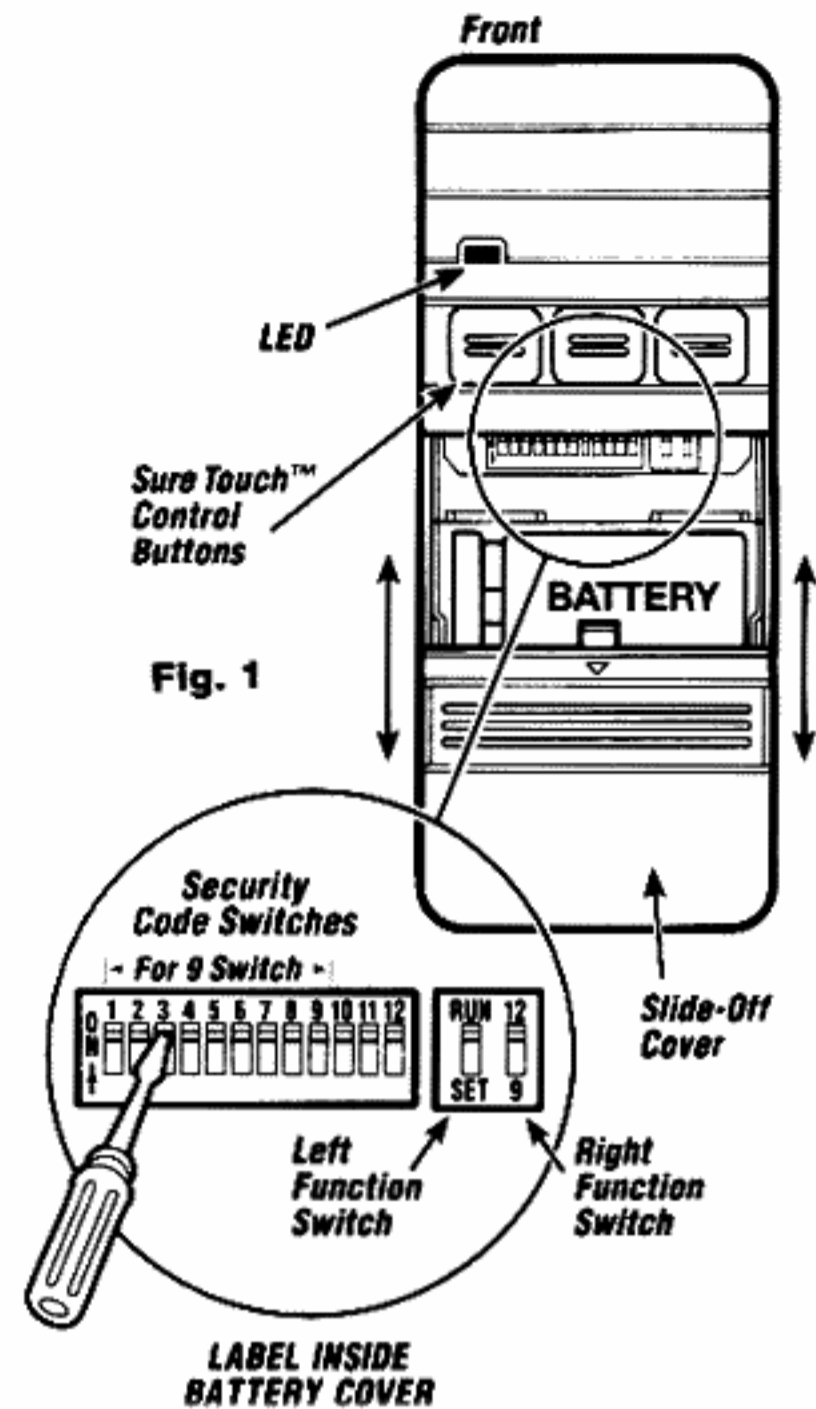


Fig. 2

This device is manufactured under one or more of the following U.S. patents:

4,064,487 4,103,238 4,041,259